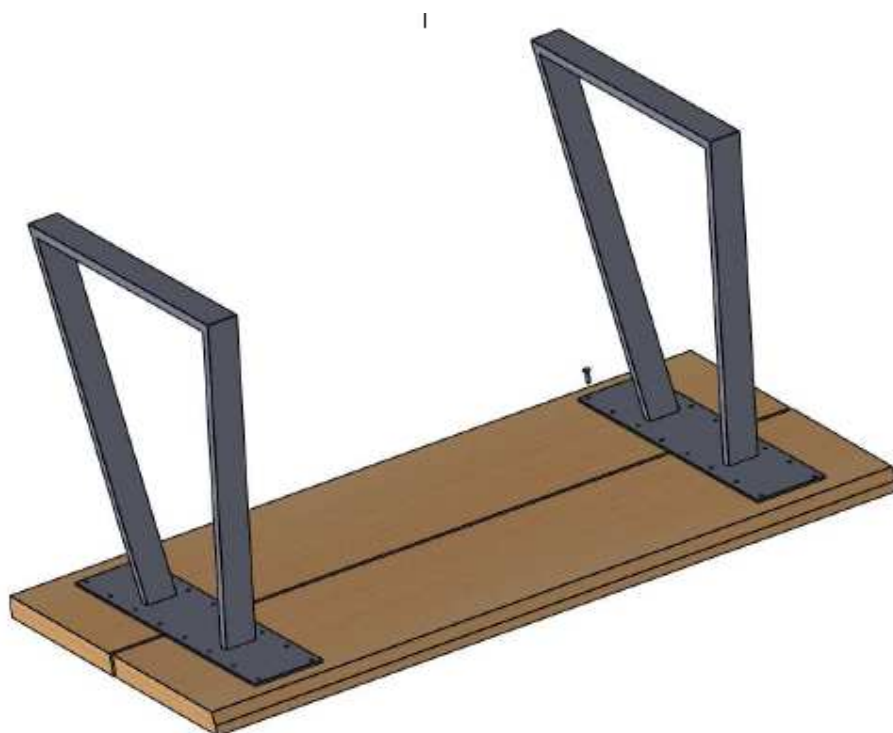


- 1. Wood table 2ps.
- 2. Metal legs 2ps.
- 3. Bolt screw 32 (16)ps.
- 4. Allen key 1ps.



- 1. Wood table 2ps.
- 2. Metal legs 2ps.
- 3. Bolt screw 32 (16)ps.
- 4. Allen key 1ps.